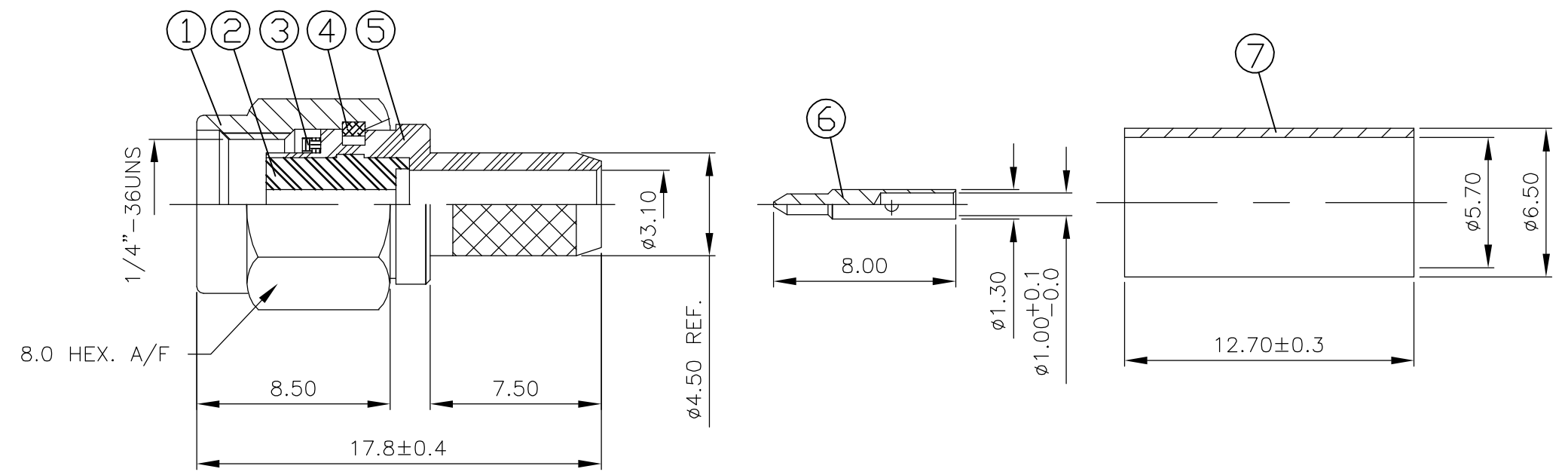


THIS DRAWING IS UNPUBLISHED. RELEASED FOR PUBLICATION APRIL, 2004.  
 © COPYRIGHT 2004 BY TYCO ELECTRONICS CORPORATION. ALL RIGHTS RESERVED.

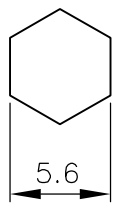
LOC	DIST	REVISIONS			
P	LTR	DESCRIPTION	DATE	DWN	APVD
E	B	A	EBD0-0035-03	03FEB04	RS FWK

- NOTES:
- ① SINGLE PACK IN ACCORDANCE WITH SPEC 107-3275
  - ② 100 TRAY PACK IN ACCORDANCE WITH SPEC 107-3275
  - ③ 0.08µm Au PLATING OVER 1.27µm Ni PLATING
  - ④ 0.08µm Au PLATING OVER 1.27µm Ni PLATING OVER 0.76µm Cu PLATING
  - ⑤ 0.76µm Au PLATING OVER 1.27µm Ni PLATING OVER 0.76µm Cu PLATING
  - ⑥ PASSIVATED
  - ⑦ WHITE BRONZE PLATING
  - ⑧ PLATING AS PER BODY, EXCEPT FOR PASSIVATED WHICH IS NICKEL PLATED
  - 9 HAND TOOL 9-1478240-0
  - 10 DIE SET 9-1478242-0
  - 11 FOR TECHNICAL DATA REFER TO YOUR LOCAL TYCO ELECTRONICS SALES OFFICE
  - 12 ALL DIMENSIONS ARE NOMINAL FOR REFERENCE ONLY UNLESS OTHERWISE STATED

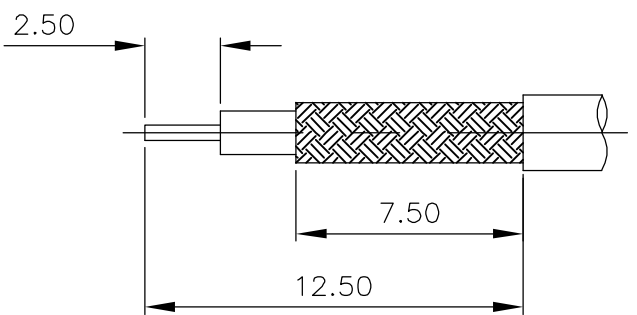


QTY	QTY	QTY	QTY	QTY	QTY	QTY	QTY	MATERIAL	DESCRIPTION	ITEM
1	1	1	1	1	1	1	1	BRASS	⑧ CRIMP SLEEVE	7
1	1	1	1	1	1	1	1	BRASS	⑤ CENTER CONTACT	6
1	1	-	-	-	-	-	-	BRASS	⑦ BODY	5
-	-	1	1	-	-	-	-	BRASS	④ BODY	5
-	-	-	-	1	1	-	-	STAINLESS STEEL	⑥ BODY	5
-	-	-	-	-	-	1	1	STAINLESS STEEL	③ BODY	5
1	1	1	1	1	1	1	1	STAINLESS STEEL	CIRCLIP	4
1	1	1	1	1	1	1	1	SILICON	GASKET	3
1	1	1	1	1	1	1	1	PTFE	INSULATOR	2
1	1	-	-	-	-	-	-	BRASS	① SHELL	1
-	-	1	1	-	-	-	-	BRASS	④ SHELL	1
-	-	-	-	1	1	-	-	STAINLESS STEEL	⑥ SHELL	1
-	-	-	-	-	-	1	1	STAINLESS STEEL	③ SHELL	1
4--1	4--0	3--1	3--0	2--1	2--0	1--1	1--0	MATERIAL	DESCRIPTION	ITEM
②	①	②	①	②	①	②	①			

RECOMMENDED CRIMP SLEEVE A/F HEX



RECOMMENDED CABLE STRIPPING DIM'S



THIS DRAWING IS A CONTROLLED DOCUMENT.		DWN R.SMITH 03FEB04	Tyco Electronics Corporation Bideford, UK, EX39 4HE	
DIMENSIONS: mm		CHK S.PARLOW 03FEB04		
TOLERANCES UNLESS OTHERWISE SPECIFIED:		APVD F.WHEELER-KING 03FEB04	NAME SMA STRAIGHT PLUG NON CAPTIVE SOLDER CONTACT CRIMP ATTACHMENT	
0 PLC ± -		PRODUCT SPEC 108-3460	RG55B/U, 142B/U, 223/U, 400/U, KX23	
1 PLC ± -		APPLICATION SPEC 411-3276	SIZE A3	CAGE CODE 00779
2 PLC ± -		WEIGHT -	DRAWING NO C-1478917	
3 PLC ± -		MATERIAL SEE TABLE	RESTRICTED TO -	
4 PLC ± -			CUSTOMER DRAWING	
ANGLES ± -		SCALE 1:1		SHEET 1 OF 1
FINISH -		REV A		